

Play value

This design of the large Shelter with integrated seating circle accentuates an approach for young people. This circle can be gently swung as a group or by individuals. The circular configuration allows each person to see all others. The four half-walls provide sufficient screening and create a sheltered area. Despite this, the room still appears open. A shelter is a „must“ to be included in every playground.



Order No. 7.82000 Shelter



Order Nr. 7.82300 Meeting House with Seating Circle



Order Nr. 7.82300 Meeting House with Seating Circle

Fundamental characteristics

- Carpenter roof construction

Recommended for

- Kindergarten children
- School children
- Young people
- Supervised play areas, such as kindergartens, schools, after-school programmes or similar
- Public play areas without supervision, such as playgrounds, parks or similar

Shelter Meeting House with Seating Circle



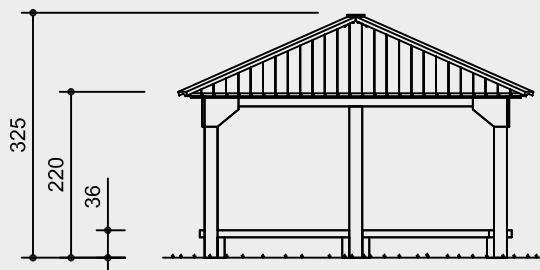
7.82000



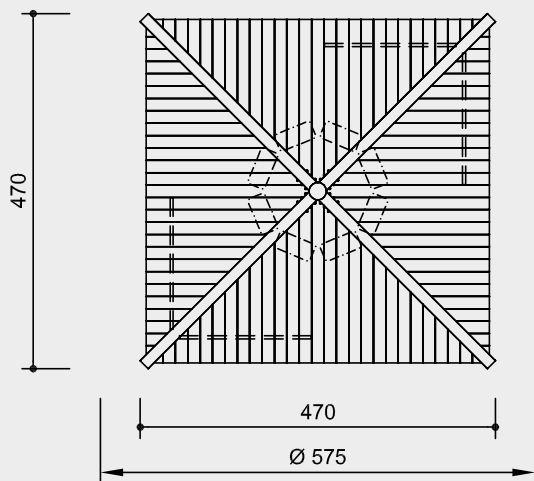
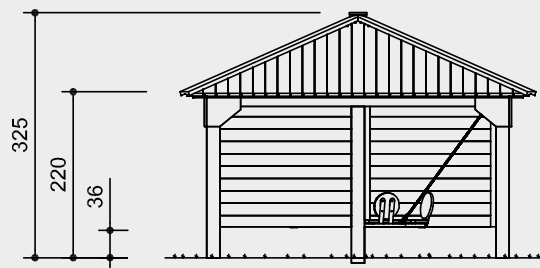
7.82300

**Order No. 7.82000
Shelter**

Safety distance →
Device dimensions —●—
Functional distance —|—



**Order No. 7.82300
Meeting House with Seating Circle**



Scale 1:100

Safety check according to DIN EN 1176

Components

**Order No. 7.82000
Shelter**

- 1 Roof of 4 segments
- 8 Support posts with steel feet
- 4 Integrated benches

**Order No. 7.82300
Meeting House with Seating Circle**

- 1 Roof of 4 segments
- 8 Support posts with steel feet
- 4 Wall segments
- 1 Seating circle of 8 seats complete with all suspension attachments

Installation information

Surfacing requirements

**Order No. 7.82000
Shelter**

no requirements

Order No. 7.82300

Meeting House with Seating Circle
corresponding to a fall height of ≤ 1.00 m

Foundations

8 items 50 x 50 x 40 cm

Excavation depth 60 cm

Need to be made before installation with a gap

Attention:

**Exact measurements may vary;
for all installation dimensions refer
to current assembly instructions.**

Technical changes reserved.

Technical information

Equipment made of non-impregnated mountain larch

Core-free

Sawn-timbers core-free, thus decreasing occurrences of cracking and undesired changes in shape



Tongue and groove

Tongue and groove planks made of 4 cm solid wood, highly resilient, no trickling of dust / sand, protection against direct rain



Plywood

Plywood made of mountain larch, three-layer (3 cm) or five-layer (4 cm). High dimensional stability, waterproof, glued according to DIN EN 13353:2011



Interlocking

Interlocking connection, with milled metal rings or serrated disc dowels, to reinforce the bolt connection under high loads transverse to the grain direction of the wood



Ground anchor

All parts used for anchoring to the ground are made of hot-dip galvanised steel or stainless steel



**Order No. 7.82300
Meeting House with Seating Circle**
As above, but in addition with

Swing seat

Ergonomically shaped swing seat made of rubber with soft shock absorbing edge. Durable due to strong profiled steel insert



Sintered bush

For all reciprocating movements we use sintered plain bearings which are self-lubricating in use and can easily be exchanged if necessary



Chains

Chains made of hot-dip galvanised steel (1.4301 / 1.4571 at extra charge) welded before galvanising, short-linked, without eyelets on the connecting parts, easy to exchange and shorten



For more detailed explanation of the quality characteristics see price list.

Suspended on sturdy hot-dip galvanised joints

Dimensions

(small deviations possible)

Order No. 7.82000

Shelter	
Surface	4.00 x 4.00 m
Eaves height	2.20 m
Roof height	3.25 m
Weight	2500 kg

Order No. 7.82300

Meeting House with Seating Circle	
Surface	4.00 x 4.00 m
Eaves height	2.20 m
Roof height	3.25 m
Weight	3000 kg



7.82000



7.82300