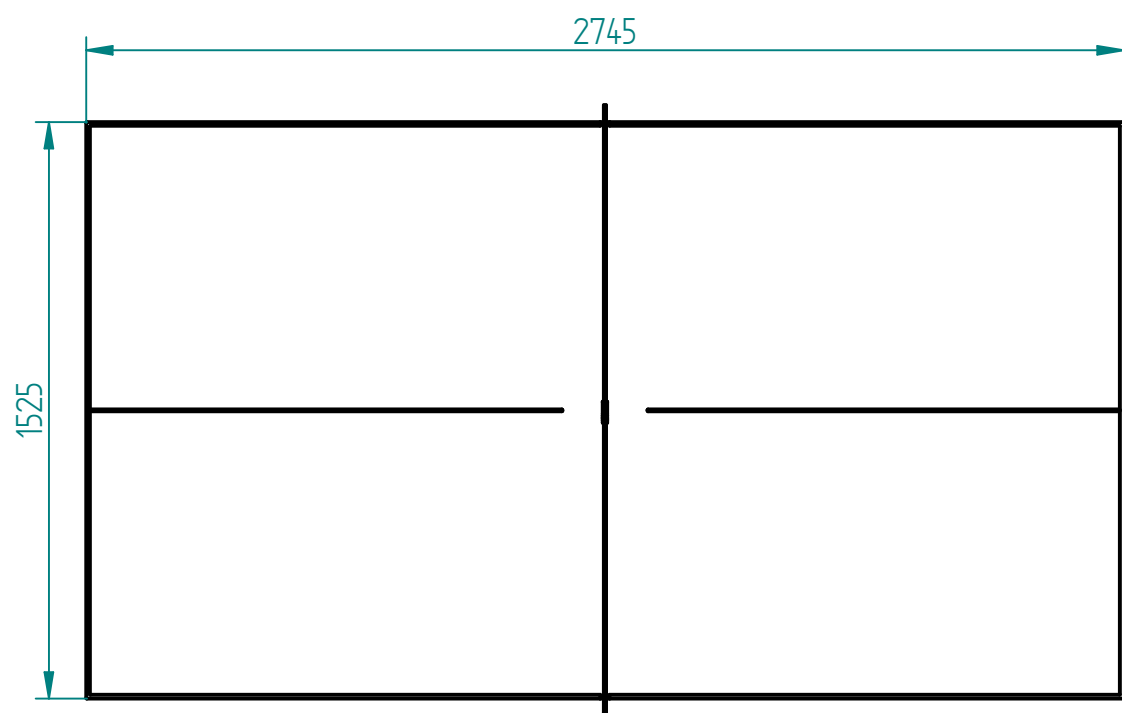
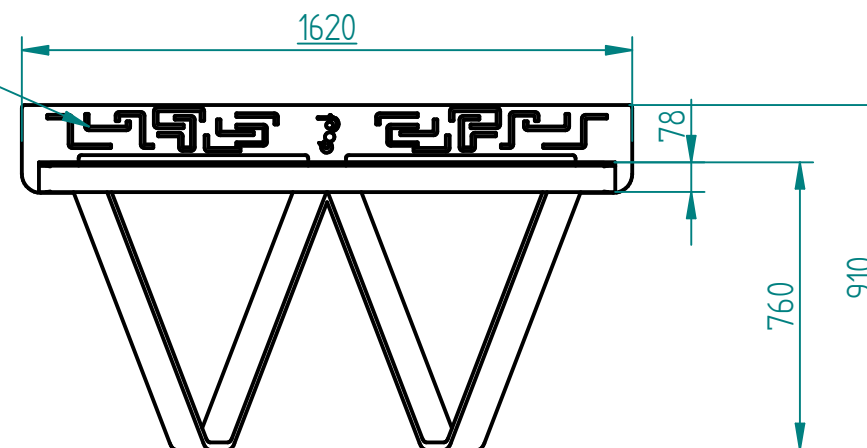


Installation:

- screwed / pinned to the ground (only solid concrete)
- screwed / pinned to the foundation, e.g. 12 cm below the surface
- extended foundation anchors

perforation and logo available



perforation and logo available

Laminated resin



304 acid-resistant steel brushed

Material:

304 acid-resistant steel brushed
or powder coated according to the RAL palette

or

Galvanized and painted steel
powder coated according to the RAL palette

or CORTEN steel

| | | |
|---|-----------------------|--|
| 25.05.2023 | Imię, Nazwisko: |  PUCZYŃSKI mała architektura |
| Projektował: | Mariusz Puczyński | |
| Rysował: | Michał MIKURENDA | |
| Sprawdził: | Mariusz Puczyński | |
| 05-800 Pruszków ul. Robotnicza 31 tel.: 22 7586693 info@puczynski.pl www.puczynski.pl | | Nazwa pliku: |
| | | ping-pong 22-13-13 |
| rozm.: | Numer rysunku: | zm.: |
| A3 | DFT: 22-13-13_eng.dft | |
| | | 22-13-13.asm |
| Skala arkusza: | 1:20 | Masa: 0.000 kg |
| | | Arkusz 1 z 1 |