



Special colour, Photo © Paul Upward

**Play value**

Swinging and rocking are typical movements in the childhood. Children are looking for possibilities to experience this swinging movement. Lying in the Cradle Nest is even more pleasant when a friendly co-player sets the swing into motion from outside. It is special fun if there are several "chicks" in the nest. Our special version with a cross beam made of steel contributes to the stability of our construction and gives a strong expression.

**Fundamental characteristics**

- Emotionally appealing design
- Sturdy construction of round poles
- Incentive for playing: lying oneself in a nest
- Movement: swaying, rocking, swinging

**Recommended for**

- Kindergarten children
- Supervised play areas, such as kindergartens, schools, after-school programmes or similar
- Public play areas without supervision, such as playgrounds, parks or similar

**Barrier-free**

- Special exercise experience
- Together with a carer



Swallow's Cradle Nest special



Special colour, Photo © Tristan Filippone

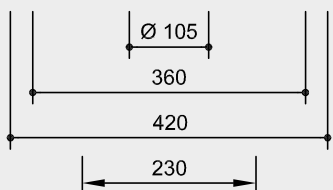
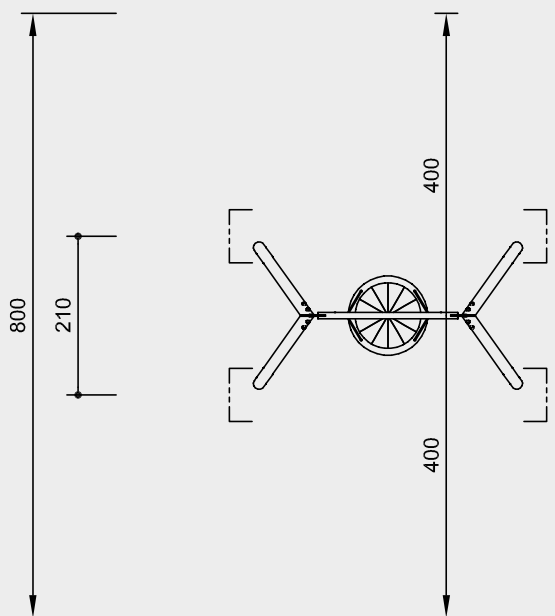
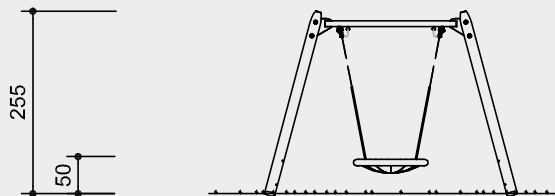
© Richter Spielgeräte GmbH 10/22



6.14720

**Order No. 6.14720**  
**Swallow's Cradle Nest special**

Safety distance   
 Device dimensions   
 Functional distance 



Scale 1:100

Safety check according to DIN EN 1176

**Components**

- 1 Swing frame with steel feet and cross beam made of steel
- 1 Swallow's nest suspended on ropes and chains

**Installation information**

Surfacing requirements corresponding to a fall height of  $\leq 1.50$  m (please refer to price list for more detailed information)

Foundations  
 4 items 60 x 70 x 60 cm  
 Excavation depth 80 cm

**Attention!**  
**Exact measurements may vary;**  
**for all installation dimensions refer to current assembly instructions.**  
 Technical changes reserved.

**Technical information**

Equipment made of non-impregnated mountain larch

**Peeled white**

Palisades peeled white means that bark, cambium and sapwood are removed, the natural shape of the trunk is preserved and can be experienced



**Universal joint**

Drop-forged, hot-dip galvanised universal joint, consists of two sintered bushes, for free swinging in any direction



**Profiled washer**

Profiled washer for covering protruding screw heads according to standard, improved pressure distribution and protection against water. Impedes loosening the bolt



**Interlocking**

Interlocking connection, with milled metal rings or serrated disc dowels, to reinforce the bolt connection under high loads transverse to the grain direction of the wood



**Sintered bush**

For all reciprocating movements we use sintered plain bearings which are self-lubricating in use and can easily be exchanged if necessary



**Ground anchor**

All parts used for anchoring to the ground are made of hot-dip galvanised steel or stainless steel



**Cross beam made of steel**

Swing cross beam made of hot-dip galvanized steel. Optimized swing geometry with rigid corner connections, thus allowing for smaller foundations and easier foundation covering



**Stainless Chains**

Chains made of steel with high corrosion resistance. Short-linked, without eyelets on the connecting parts, easily replaceable and simple shortening



**For more detailed explanation of the quality characteristics see price list.**

Swallow's nest  $\varnothing 105$  cm with olive green rope ring (PPM), net seat and suspension rope black  $\varnothing 16$  mm (polyester)

Suspended on  $\varnothing 7$  mm stainless steel chains

**Dimensions**

(small deviations possible)

Height	2.55 m
Vertical clearance	2.40 m
Length	3.60 m
Width	2.10 m
Weight	240 kg

