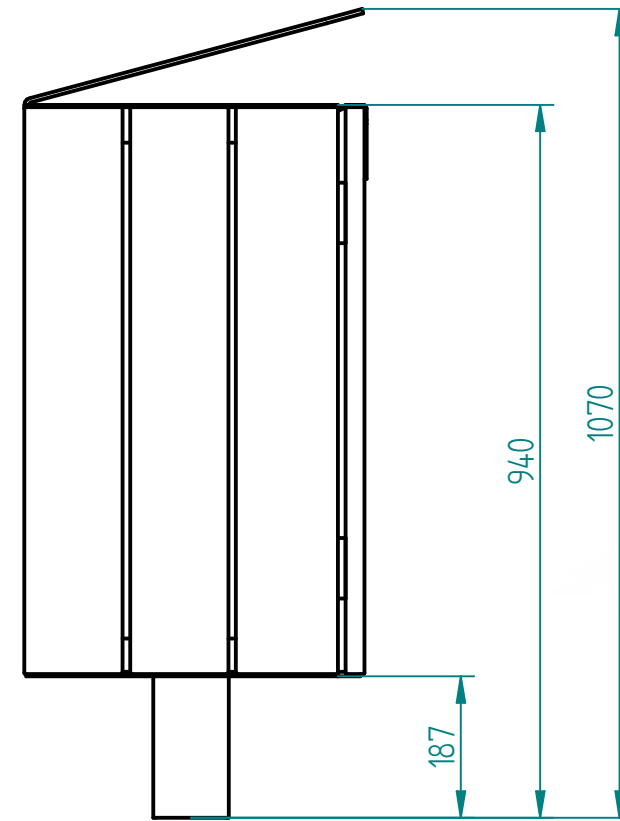
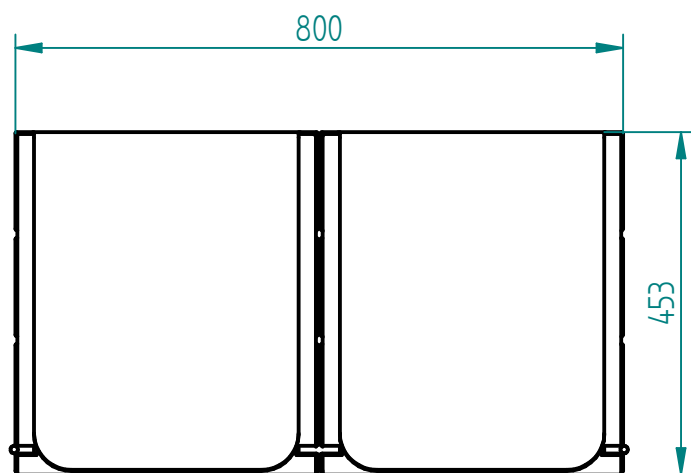


Available installation methods:

- to the ground (solid concrete only)
- screwing to the foundation 15 cm below the surface
- extended foundation anchors

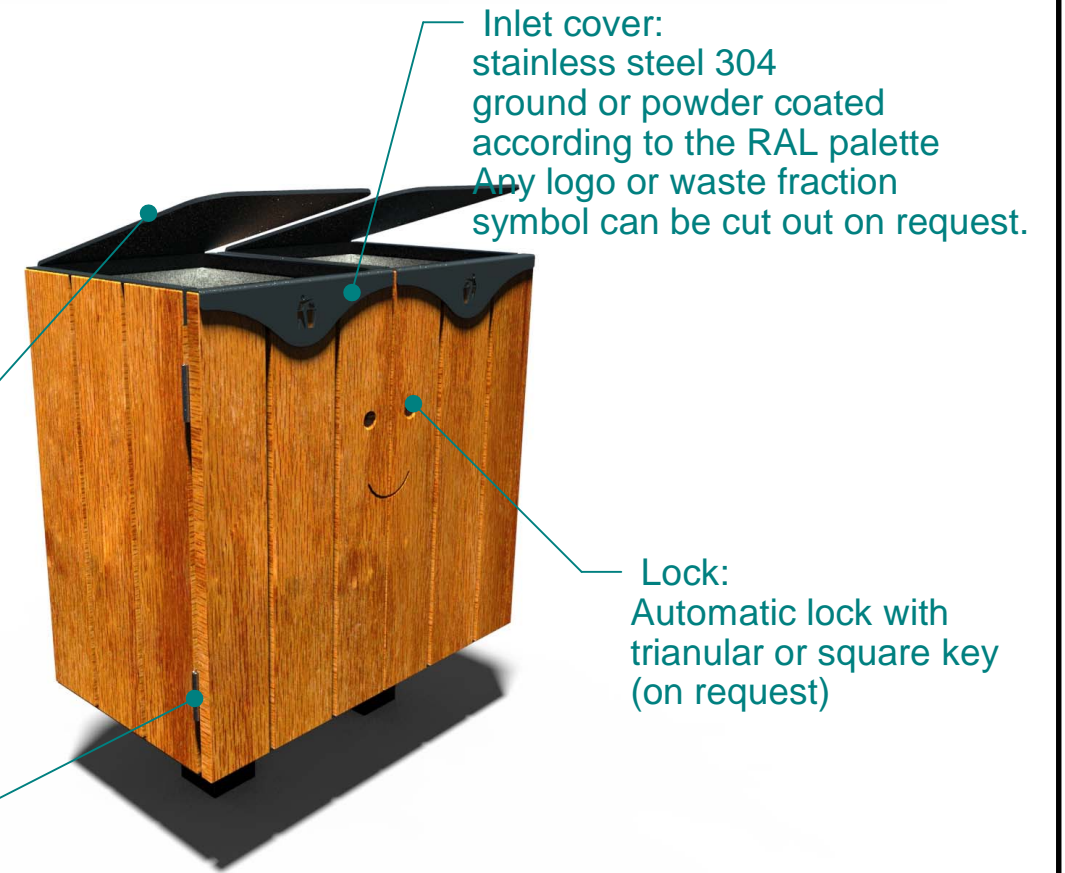


Roof: made of stainless steel and powder coated RAL
Hinges: made of stainless steel

The hinges stainless steel 304



Inner bin: 70L capacity
Made of stainless steel 304
Openings finished with rubber seals



Inlet cover: stainless steel 304
ground or powder coated according to the RAL palette
Any logo or waste fraction symbol can be cut out on request.

Lock: Automatic lock with triangular or square key (on request)

07.04.2021	Imię, Nazwisko:	 PUCZYŃSKI mała architektura
Projektował:	Mariusz Puczyński	
Rysował:	Michał MIKURENDA	
Sprawdził:	Mariusz Puczyński	
05-800 Pruszków ul. Robotnicza 31 tel. 22 7586693 info@puczynski.pl www.puczynski.pl		Nazwa pliku: litter bin 20-07-30_18
rozmiar:	Numer rysunku:	zm.:
A3	DFT: 20-07-30_18_eng.dft	
20-07-30_18.asm		
Skala arkusza:	Masa:	Arkusz 1 z 1
1:50	0.000 kg	