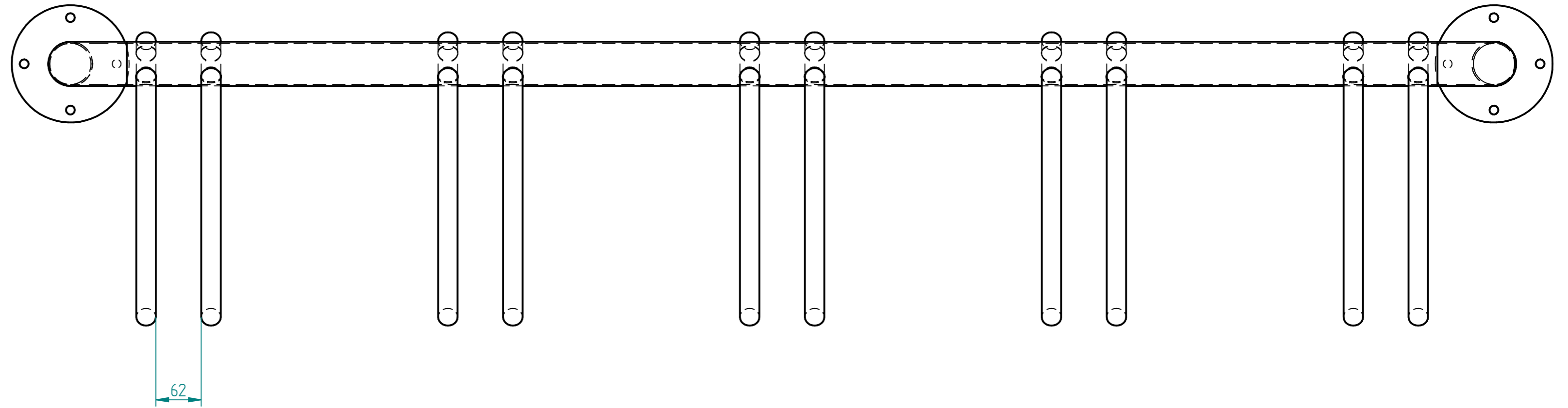
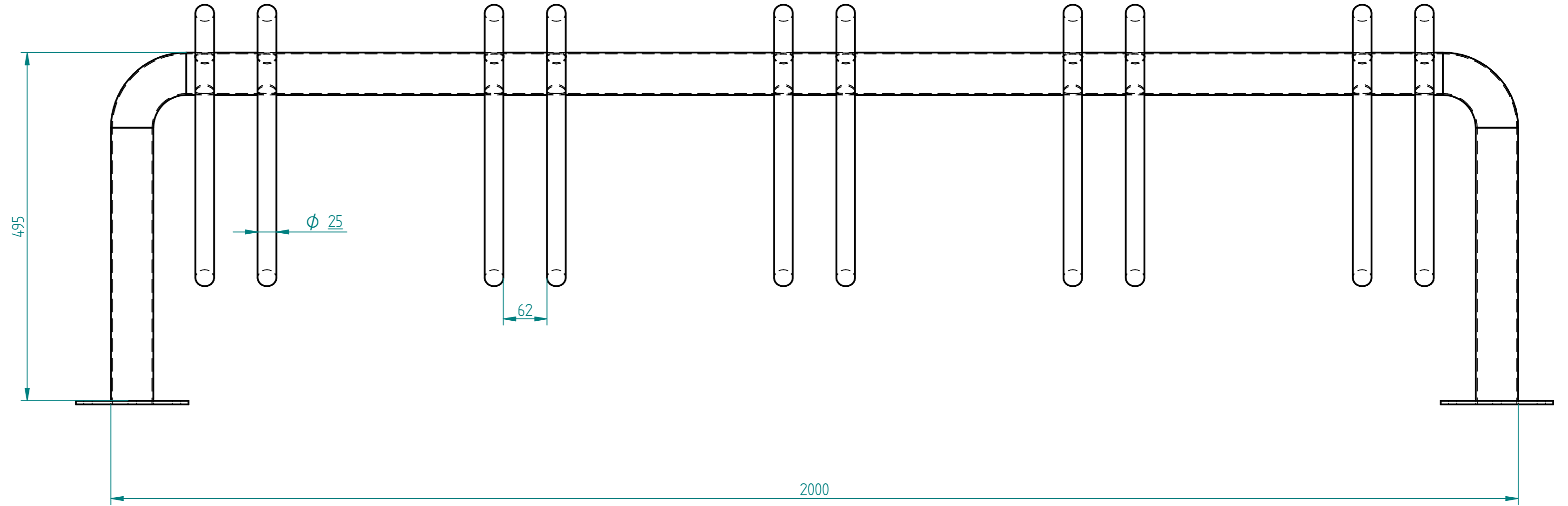
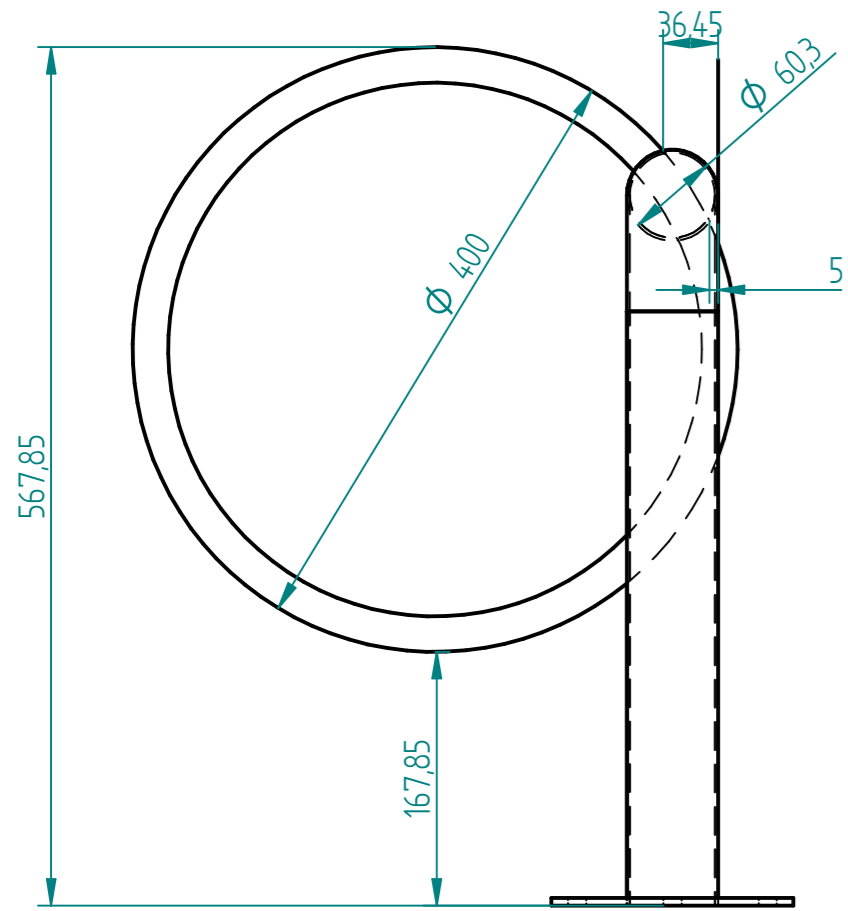


REVISION HISTORY			
REV	DESCRIPTION	DATE	APPROVED



	NAME	DATE	Solid Edge TITLE 18-11-12		
DRAWN	admin	09/21/13			
CHECKED					
ENG APPR					
MGR APPR			SIZE A2	DWG NO	
UNLESS OTHERWISE SPECIFIED DIMENSIONS ARE IN MILLIMETERS ANGLES ±XX° 2 PL ±XXX 3 PL ±XXXX			FILE NAME: 18-11-12.dft	REV	
			SCALE:	WEIGHT:	SHEET 1 OF 1