

**Dimensions:**

Length 2260 mm

Width 800 mm

Height 950 mm

**Materials:**

Grinded stainless steel 304

Grinded stainless steel 316

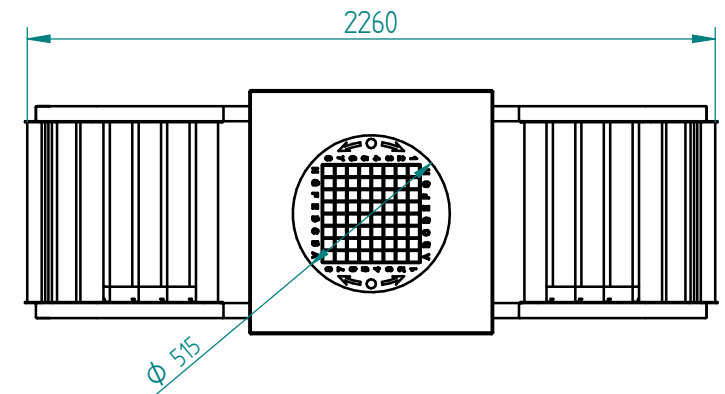
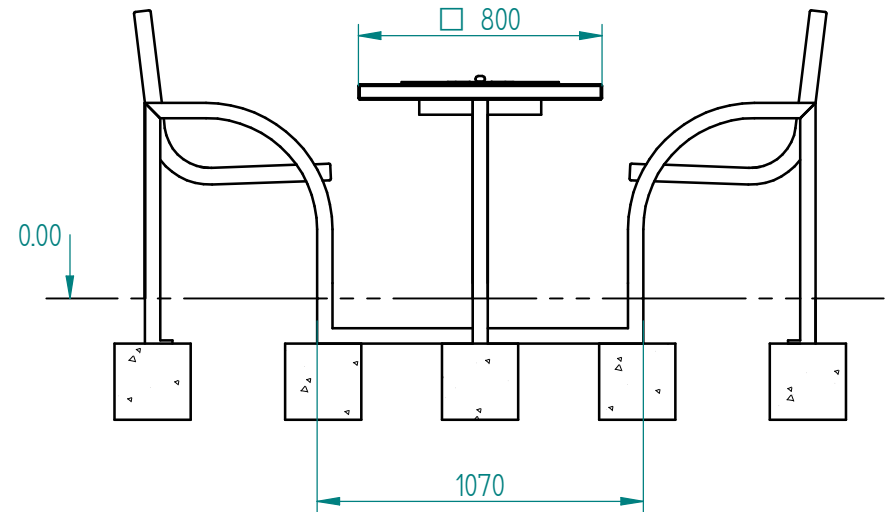
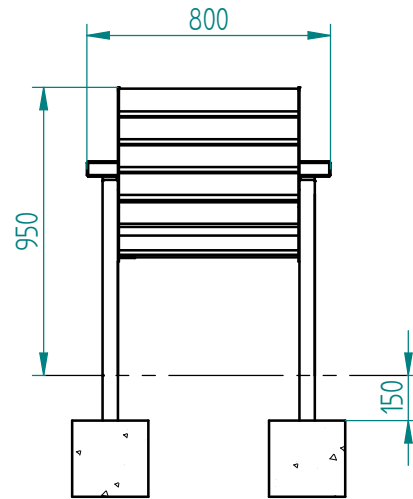
Hot-dip galvanized steel, powder coated  
(Qualisteelcoat certificate) according to  
RAL colour standardExotic IROKO wood finished with  
colored/colorless oil

Smooth concrete (light grey color)

**Installation:**

There are three installation options:

- screwed to the ground (*only solid concrete or large granite slabs*)
- screwed to the foundation, e.g. 15 cm below the surface (*according to the drawing*)
- extended foundation anchors



Rotating chessboard  
Grinded stainless steel 304

09.01.2023	Imię, Nazwisko:	 <b>PUCZYŃSKI</b> mała architektura
Projektował:	Mariusz Puczyński	
Rysował:	Marek Józefowski	
Sprawdził:	Mariusz Puczyński	
05-800 Pruszków ul. Robotnicza 31 tel.: 22 7586693 info@puczynski.pl www.puczynski.pl		Nazwa pliku: <b>table/chess 21-13-05</b>
rozmiar: A3	Numer rysunku: DFT: 21-13-05_eng.dft	zm.:
21-13-05.asm		
Skala arkusza: 1:17,54		Masa: 481.580 kg
		Arkusz 1 z 1